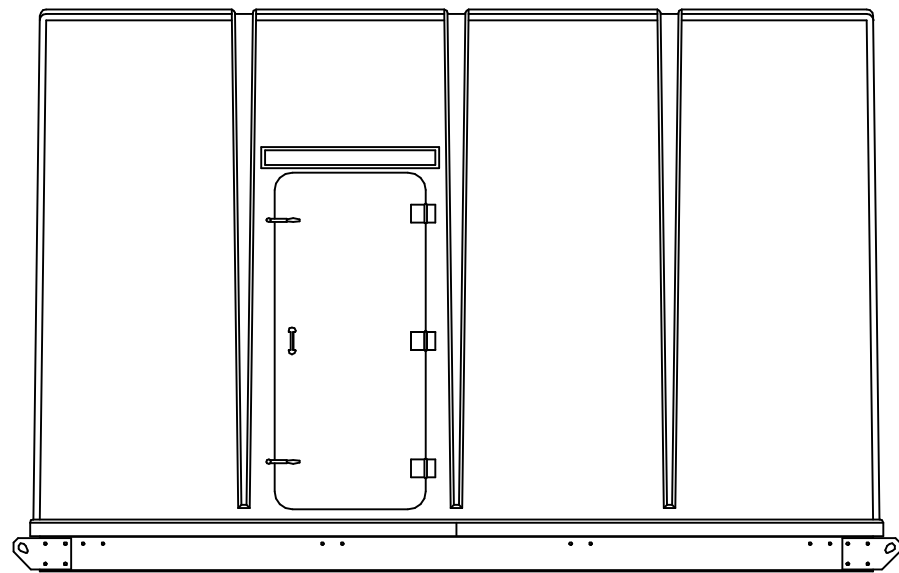
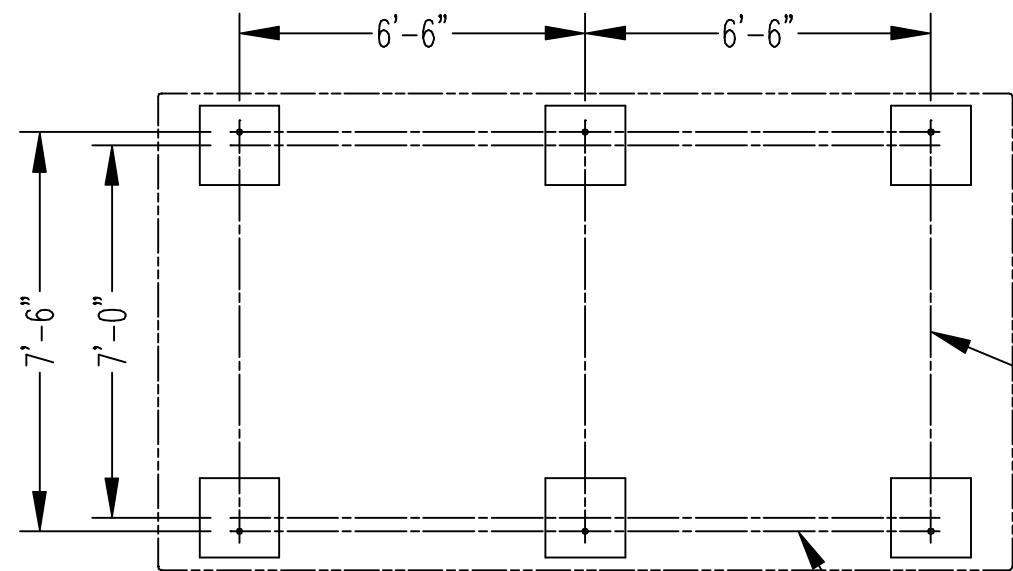
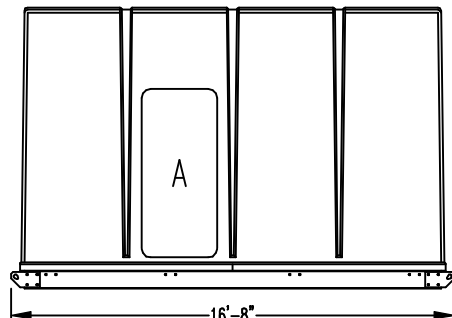
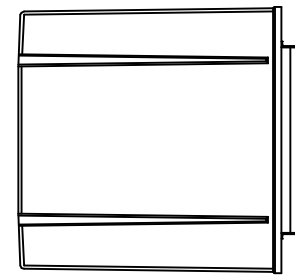
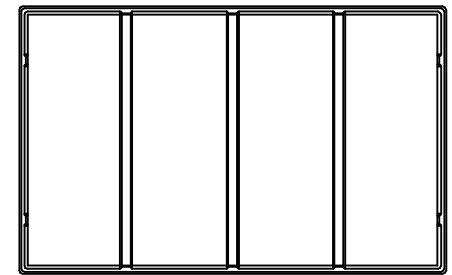
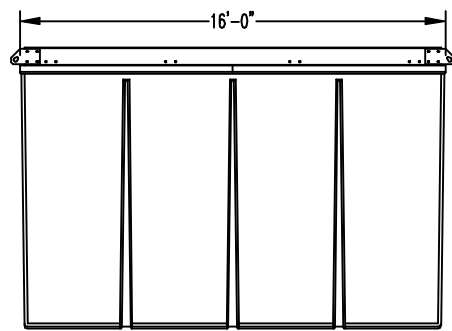
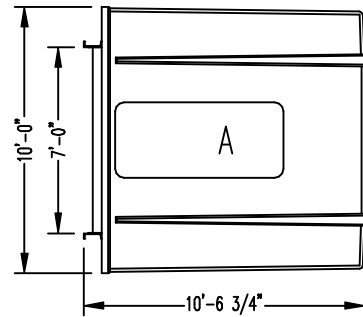


VP Model B-1016

Door Option Schedule			
Width	A	B	C
2'-5"	•	•	•
2'-8"	•	•	
3'-0"	•		



Exterior View



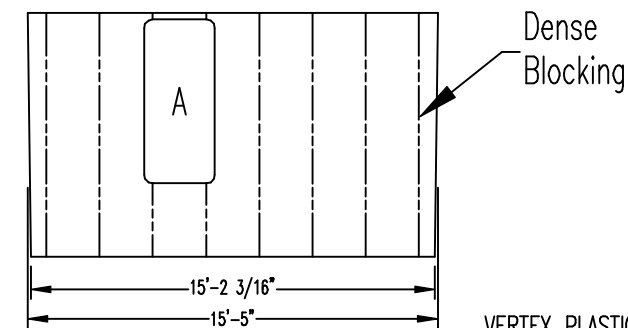
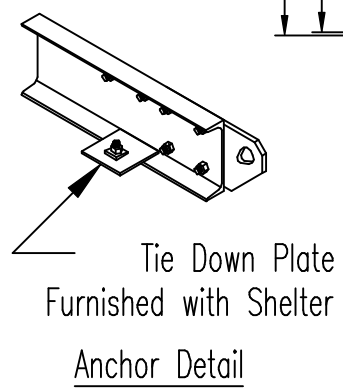
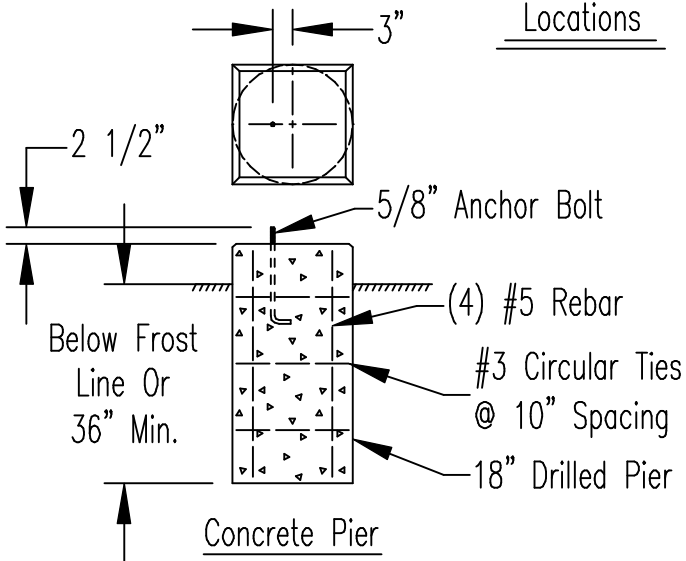
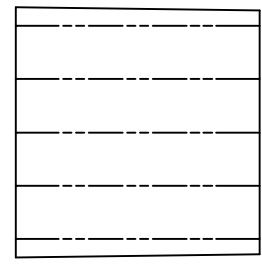
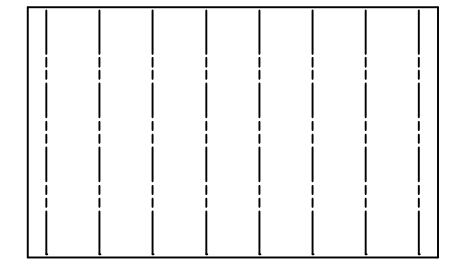
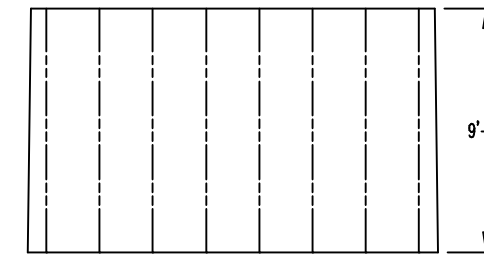
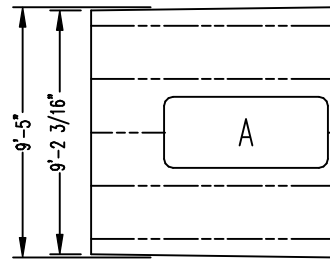
Shelter Outline

Pier Center

Interior View

Anchor Bolt Locations

Bolt Center



Dense Blocking

Walls and Roof

Fiberglass exterior shell • fiberglass interior shell • foamed-in-place urethane core • 3" wall thickness • 4" roof thickness • gel coat molded-in color finish both interior and exterior.

Standard Floor

Sandwich panel floor • 3" overall thickness • finish floor • fiberglass coated 3/4" wood upper face • 1-1/2" rigid plastic foam insulating core and wood blocking • fiberglass coated 3/4" wood lower face • 8" steel channel beam/skid assembly with bolt-on lifting plates for handling.

Standard Door

Door construction same as dome • 2-1/4" overall thickness • 3 hinges • door pulls inside and outside • padlocking wedge levers with inside release handles • continuous rubber seal.

Standard Attachment Blocking

Dense blocking fiberglassed to backside of inside fiberglass shell at molded-in recesses continuous up walls and across ceiling for the attachment of heavy accessory items.

Dimensions and Weight

Exterior width:	10'-0"
Exterior length:	16'-0"
Exterior height:	10'-7"
Floor to ceiling:	9'-2"
Std. door opening:	2'-8" x 6'-2"
Approx. weight:	4300 lbs.

Standard Design Loadings

Floor:	200 psf
Walls:	150 mph wind
Roof:	70 psf

Heat Transmission

U-Factor	0.06 BTU/hr. sf. F
----------	--------------------