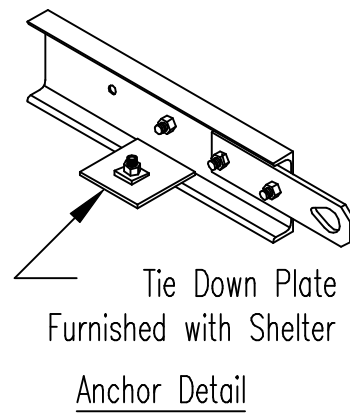
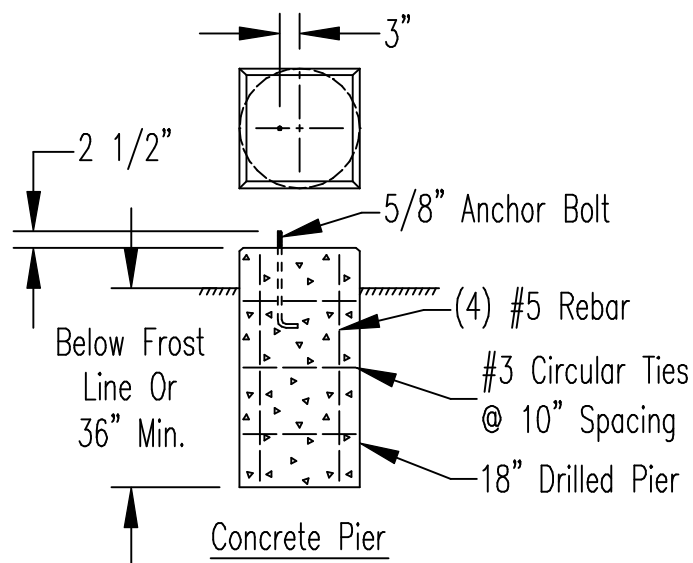
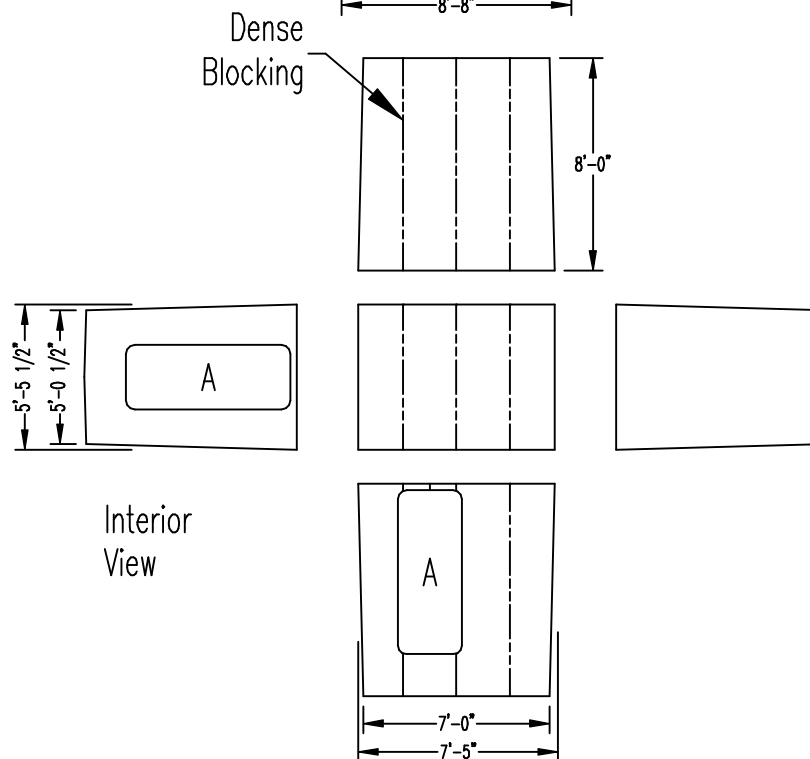
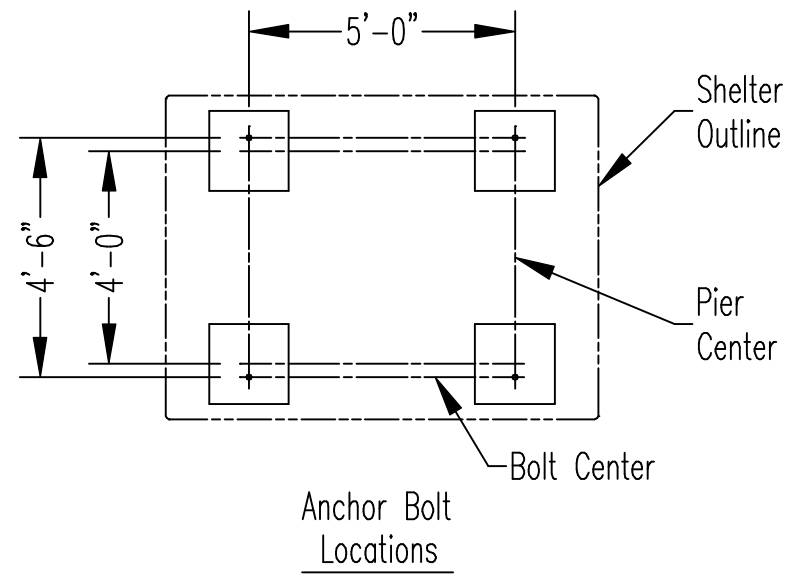
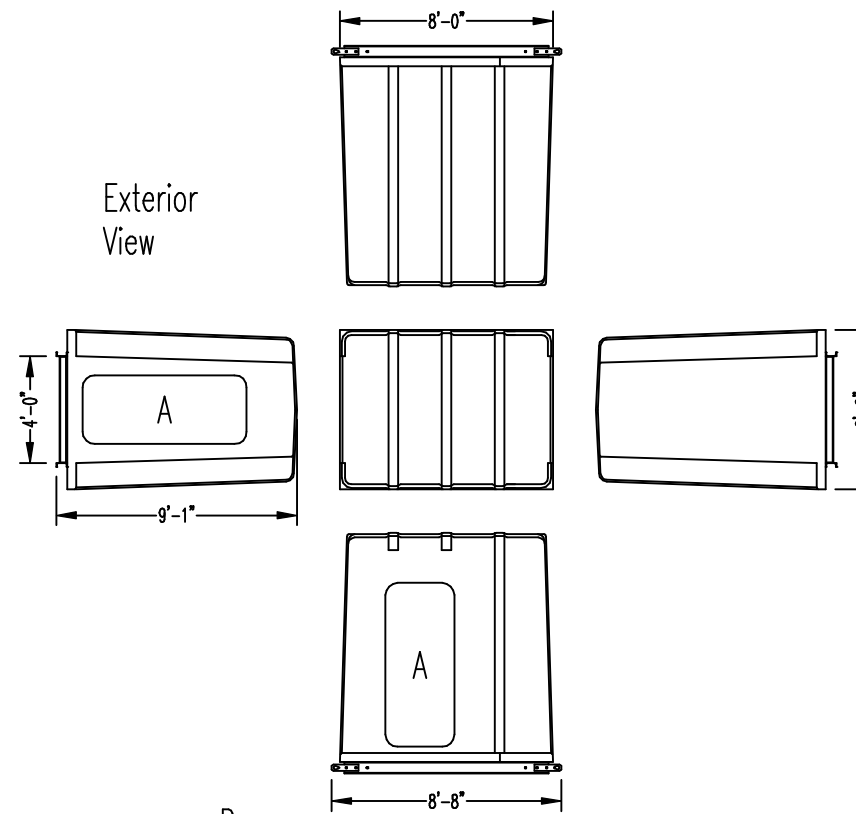
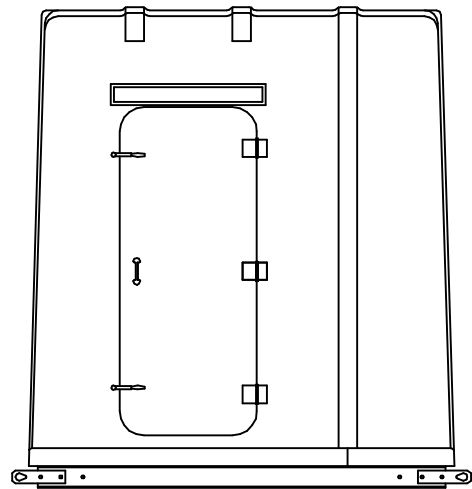


**VP Model BA-68**



Door Option Schedule			
Width	A	B	C
2'-5"	•	•	•
2'-8"	•	•	
3'-0"	•		

**Walls and Roof**

Fiberglass exterior shell • fiberglass interior shell • foamed-in-place urethane core • gel coat molded-in color finish both interior and exterior • wall thickness: 2" with 3" at ribs • roof thickness: 3" with 4" at ribs.

**Standard Floor**

Sandwich panel floor • 3" overall thickness • finish floor • fiberglass coated 3/4" wood upper face • 1-1/2" rigid plastic foam insulating core and wood blocking • fiberglass coated 3/4" wood lower face • 5" steel channel beam/skid assembly with bolt-on lifting plates for handling.

**Standard Door**

Door construction same as dome • 2-1/4" overall thickness • 3 hinges • door pulls inside and outside • padlocking wedge levers with inside release handles • continuous rubber seal.

**Standard Attachment Blocking**

Dense blocking fibreglassed to backside of inside fiberglass shell at molded-in recesses continuous up walls and across ceiling for the attachment of heavy accessory items.

**Dimensions and Weight**

Exterior width:	6'-0"
Exterior length:	8'-0"
Exterior height:	9'-1"
Floor to ceiling:	8'-0"
Std. door opening:	2'-5" x 6'-2"
Approx. weight:	1400 lbs.

**Standard Design Loadings**

Floor:	200 psf
Walls:	150 mph wind
Roof:	70 psf

**Heat Transmission**

U-Factor	0.07 BTU/hr. sf. F
----------	--------------------