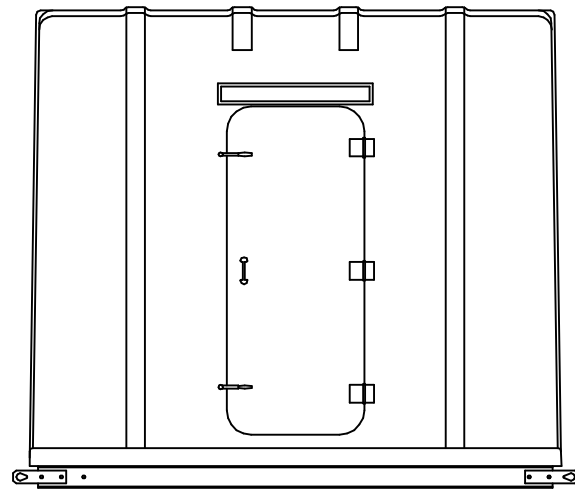
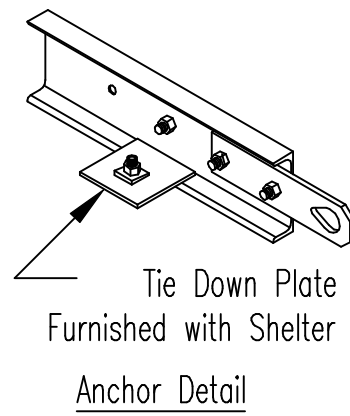
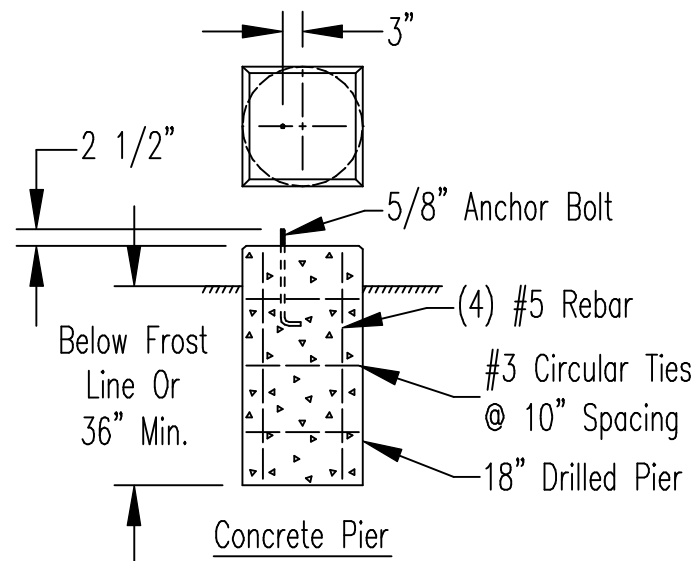
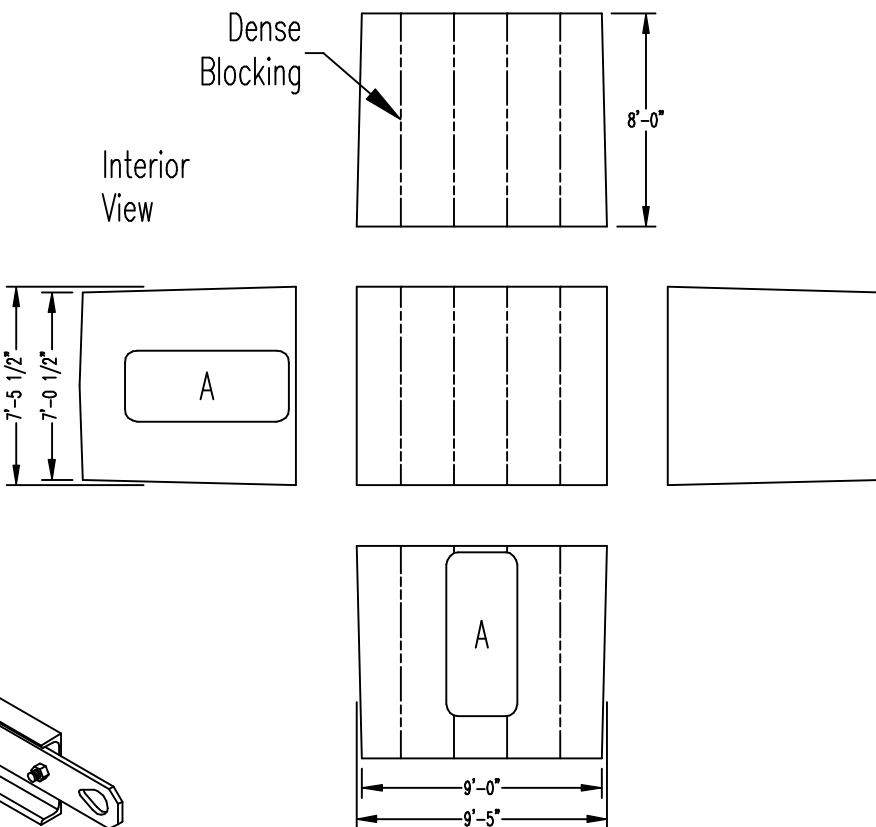
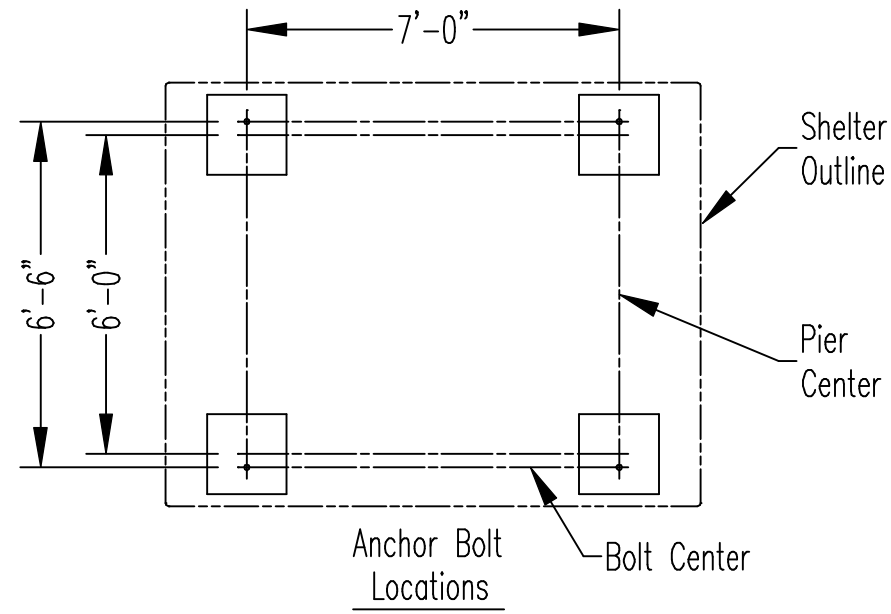
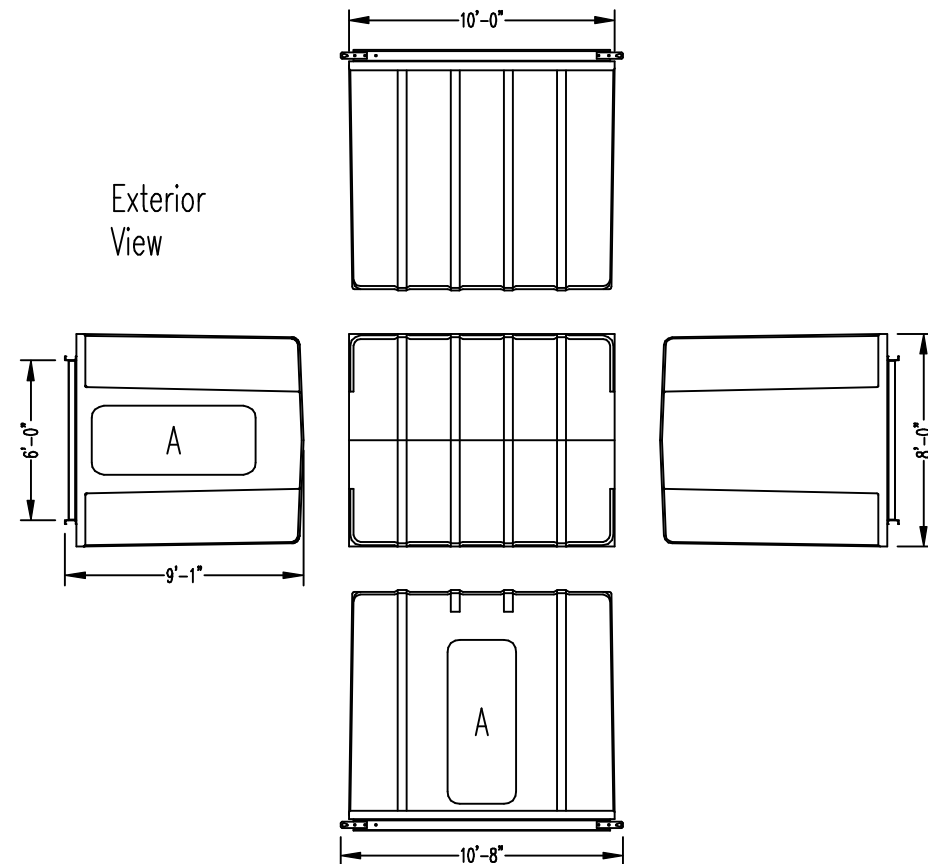


VP Model BA-810



Door Option Schedule			
Width	A	B	C
2'-5"	•	•	•
2'-8"	•	•	
3'-0"	•		



Walls and Roof

Fiberglass exterior shell • fiberglass interior shell • foamed-in-place urethane core • gel coat molded-in color finish both interior and exterior • wall thickness 2" with 3" at ribs • roof thickness: 3" with 4" at ribs.

Standard Floor

Sandwich panel floor • 3" overall thickness • finish floor • fiberglass coated 3/4" wood upper face • 1-1/2" rigid plastic foam insulating core and wood blocking • fiberglass coated 3/4" wood lower face • 5" steel channel beam/skid assembly with bolt-on lifting plates for handling.

Standard Door

Door construction same as dome • 2-1/4" overall thickness • 3 hinges • door pulls inside and outside • padlocking wedge levers with inside release handles • continuous rubber seal.

Standard Attachment Blocking

Dense blocking fiberglassed to backside of inside fiberglass shell at molded-in recesses continuous up walls and across ceiling for the attachment of heavy accessory items.

Dimensions and Weight

Exterior width:	8'-0"
Exterior length:	10'-0"
Exterior height:	9'-1"
Floor to ceiling:	8'-0"
Std. door opening:	2'-8" x 6'-2"
Approx. weight:	2000 lbs.

Standard Design Loadings

Floor:	200 psf
Walls:	150 mph wind
Roof:	54 psf

Heat Transmission

U-Factor	0.07 BTU/hr. sf. F
----------	--------------------