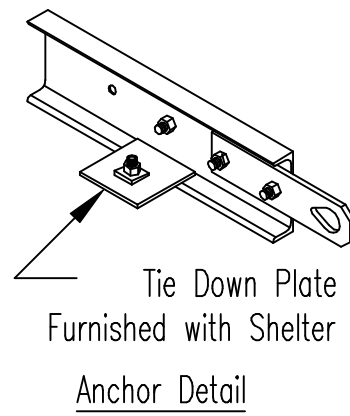
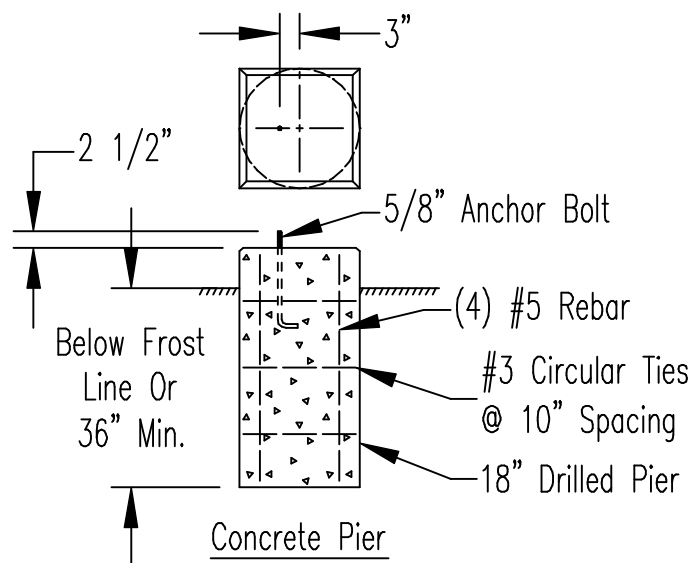
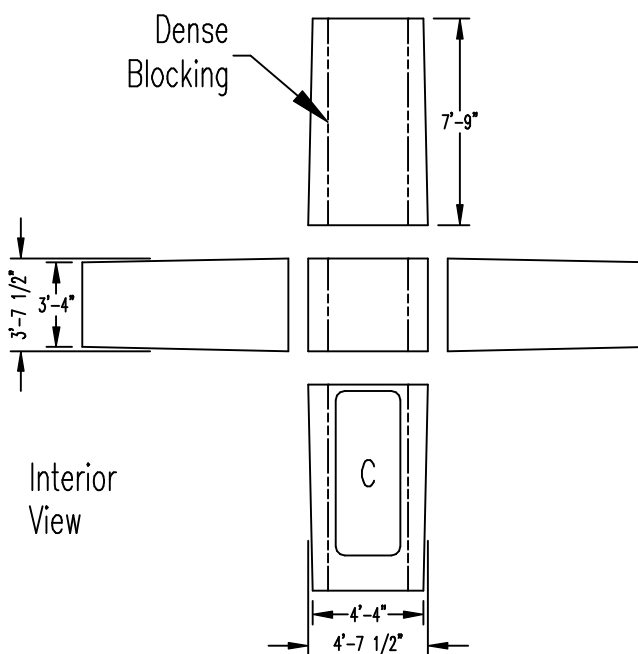
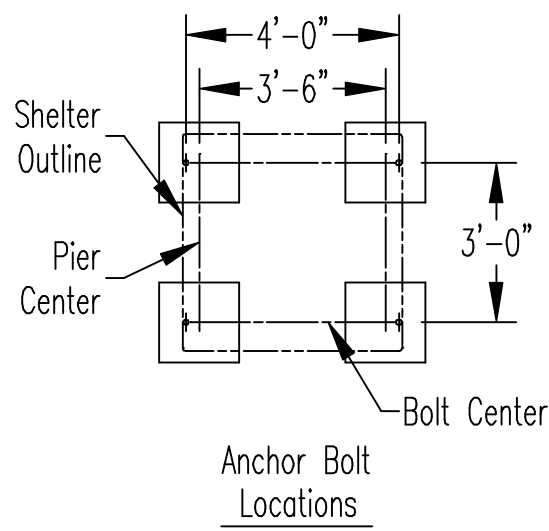
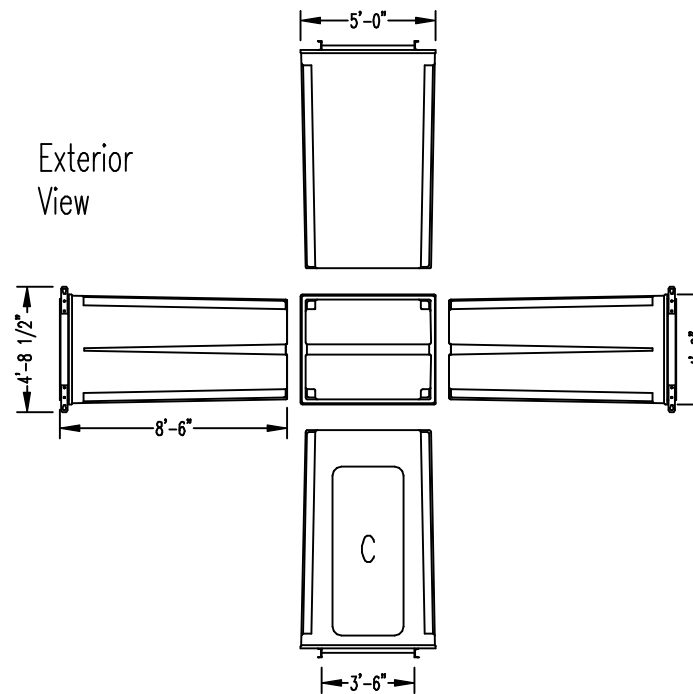
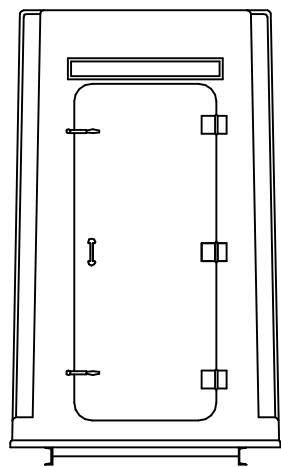


VP Model B-45



Door Option Schedule			
Width	A	B	C
2'-5"	.	.	.
2'-8"	.	.	
3'-0"	.		

Walls and Roof

Fiberglass exterior shell • fiberglass interior shell • foamed-in-place urethane core • 2-1/4" wall thickness • 3" roof thickness • gel coat molded-in color finish both interior and exterior.

Standard Floor

Sandwich panel floor • 3" overall thickness • finish floor • fiberglass coated 3/4" wood upper face • 1-1/2" rigid plastic foam insulating core and wood blocking • fiberglass coated 3/4" wood lower face • 4" steel channel beam/skid assembly with bolt-on lifting plates for handling.

Standard Door

Door construction same as dome • 2-1/4" overall thickness • 3 hinges • door pulls inside and outside • padlocking wedge levers with inside release handles • continuous rubber seal.

Standard Attachment Blocking

Dense blocking fiberglassed to backside of inside fiberglass shell at molded-in recesses continuous up walls and across ceiling for the attachment of heavy accessory items.

Dimensions and Weight

Exterior width:	4'-0"
Exterior length:	5'-0"
Exterior height:	8'-6"
Floor to ceiling:	7'-9"
Std. door opening:	2'-5" x 6'-2"
Approx. weight:	900 lbs.

Standard Design Loadings

Floor:	200 psf
Walls:	150 mph wind
Roof:	70 psf

Heat Transmission

U-Factor	0.07 BTU/hr. sf. F
----------	--------------------